

## IC-M304

### Características

- \* Capacidad de llamada selectiva digital interconstruida para 30 direcciones.
- \* 22 canales en modo simplex
- \* Pantalla con iluminación
- \* Opción AquaQuake. Elimina residuos de agua en la bocina
- \* Rastreo de canal simple, agregue o borre canales con un solo botón.
- \* 25 watts de potencia
- \* Fácil selección de canales con teclas arriba y abajo
- \* Función de observación doble y triple para mejorar monitoreo de un canal mientras se está operando en otro.
- \* Micrófono inteligente que permite colocar el cambio de potencia y de canales.
- \* Sumergible a 1 metro por 30 minutos

### Accesorios incluidos

- \* Micrófono HM164B
- \* Cable de corriente
- \* Montaje



## SPECIFICATIONS

## GENERAL

- Frequency range : Tx 156.025–157.425MHz  
Rx 156.050–163.275MHz
- Usable channels : USA, CAN, INT, WX channels
- Type of emission : 16K0G3E, 16K0G2B
- Power supply : 13.8V DC  $\pm$ 15%
- Current drain : Tx 5.5A (at 25W output)  
Rx 1.5A (at AF max.)
- Operating temperature range:  
–20°C to +60°C; –4°F to +140°F
- Antenna impedance : 50  $\Omega$  (50-239)
- Dimensions (W x H x D, projections not included) :  
153 x 67 x 133mm ; 6 1/8 x 2 5/8 x 5 1/4 in.
- Weight (approx.) : 825g; 1.8lb
- NMEA formats : NMEA version 2.0 or 3.01  
RMC, GGA, GNS, GLL

Measurements made in accordance with TIA/EIA 603. All stated specifications are subject to change without notice or obligation.

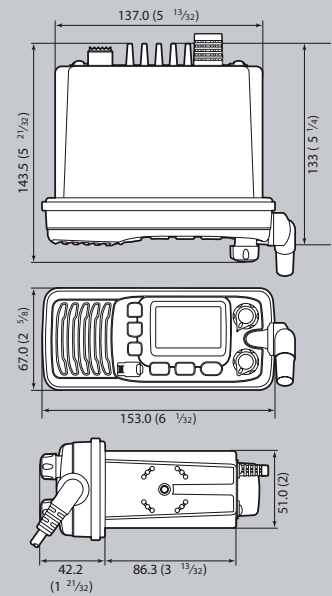
## TRANSMITTER

- Output power : 25W or 1W (at 13.8V DC)
- Modulation system : Variable reactance frequency modulation
- Max. freq. deviation :  $\pm$ 5kHz
- Frequency error :  $\pm$ 10ppm
- Spurious emissions : Less than –70dBc (at 25W)
- Adj. channel power : More than 70dB
- Audio harmonic distortion : Less than 10% (at 60% dev.)
- Residual modulation : More than 40dB

## RECEIVER

- Intermediate freq. : 1st 21.7MHz, 2nd 450kHz
- Sensitivity : 0.22  $\mu$ V typical at 12dB SINAD
- Squelch sensitivity: Less than 0.22  $\mu$ V
- Adj. Ch. selectivity: More than 70dB
- Spurious response: More than 70dB
- Intermodulation : More than 70dB
- Hum and noise : More than 40dB
- Audio output power : 4.5W typical at 10% distortion with a 4  $\Omega$  load

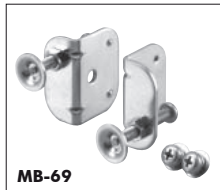
## DIMENSIONS



## OPTIONS

- **HM-164B/164SW/164G** HAND MICROPHONE  
Black, super white and gray are available.  
Same as supplied.

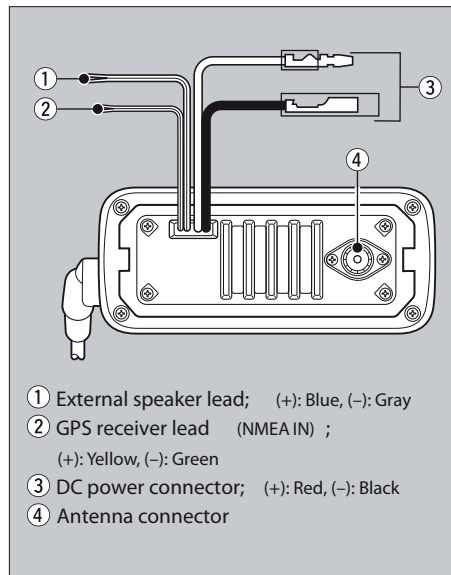
- **MB-69**  
FLUSH MOUNT KIT  
For flush-mounting the IC-M304 to a flat surface such as an instrument control panel.



- **MB-92** DUST COVER  
Protects the IC-M304 from dust and strong sunlight when the radio is not in use.



## REAR PANEL CONNECTIONS



- 1 External speaker lead; (+): Blue, (-): Gray
- 2 GPS receiver lead (NMEA IN); (+): Yellow, (-): Green
- 3 DC power connector; (+): Red, (-): Black
- 4 Antenna connector

## Color versions:

- Black
- Super white
- Gray

## Supplied accessories:

- Hand microphone
- DC power cable
- Mounting bracket kit

FORCE5AUDIO logo is a registered trademark of Icom Inc. (Japan) in the United States.



Icom Inc. 1-1-32, Kami-minami, Hirano-ku, Osaka 547-0003, Japan Phone: +81 (06) 6793 5302 Fax: +81 (06) 6793 0013

URL: <http://www.icom.co.jp/world/index.html>

Count on us!

## Icom America Inc.

2380 116th Avenue NE,  
Bellevue, WA 98004, U.S.A.  
Phone: +1 (425) 454-8155  
Fax: +1 (425) 454-1509  
E-mail: [sales@icomamerica.com](mailto:sales@icomamerica.com)  
URL: <http://www.icomamerica.com>

## Icom Canada

Glenwood Centre #150-6165 Highway 17,  
Delta, B.C., V4K 5B8, Canada  
Phone: +1 (604) 952-4266  
Fax: +1 (604) 952-0090  
E-mail: [info@icomcanada.com](mailto:info@icomcanada.com)  
URL: <http://www.icomcanada.com>

## Icom (Australia) Pty. Ltd.

Unit 1 / 103 Garden Road,  
Clayton VIC 3168 Australia  
Phone: +61 (03) 9549 7500  
Fax: +61 (03) 9549 7505  
E-mail: [sales@icom.net.au](mailto:sales@icom.net.au)  
URL: <http://www.icom.net.au>

## Icom New Zealand

146A Harris Road, East Tamaki,  
Auckland, New Zealand  
Phone: +64 (09) 274 4062  
Fax: +64 (09) 274 4708  
E-mail: [inquiries@icom.co.nz](mailto:inquiries@icom.co.nz)  
URL: <http://www.icom.co.nz>

## Icom (Europe) GmbH

Communication Equipment  
Himmelgeister Str. 100,  
D-40225 Düsseldorf, Germany  
Phone: +49 (0211) 346047  
Fax: +49 (0211) 333639  
E-mail: [info@icomeurope.com](mailto:info@icomeurope.com)  
URL: <http://www.icomeurope.com>

## Icom Spain S.L.

Ctra. Rubi, No.88 "Edificio Can Castanyer"  
08190, Sant Cugat del Valles, Barcelona, Spain  
Phone: +34 (93) 590 26 70  
Fax: +34 (93) 589 04 46  
E-mail: [icom@icomspain.com](mailto:icom@icomspain.com)  
URL: <http://www.icomspain.com>

## Icom (UK) Ltd.

Unit 9, Sea St., Herne Bay,  
Kent, CT6 8LD, U.K.  
Phone: +44 (01227) 741741  
Fax: +44 (01227) 741742  
E-mail: [info@icomuk.co.uk](mailto:info@icomuk.co.uk)  
URL: <http://www.icomuk.co.uk>

## Icom France s.a.s.

Zac de la Plaine,  
1 Rue Brindejonnec des Moulinais, BP 45804,  
31505 Toulouse Cedex 5, France  
Phone: +33 (5) 61 36 03 03  
Fax: +33 (5) 61 36 03 00  
E-mail: [icom@icom-france.com](mailto:icom@icom-france.com)  
URL: <http://www.icom-france.com>

## Icom Polska

Sopot, 3 maja 54, Poland  
Phone: +48 (58) 550 7135  
Fax: +48 (58) 551 0484  
E-mail: [icompolkska@icompolkska.com.pl](mailto:icompolkska@icompolkska.com.pl)  
URL: <http://www.icompolkska.com.pl>

## Asia Icom Inc.

6F No.68, Sec.1 Cheng-Teh Road,  
Taipei, Taiwan, R.O.C.  
Phone: +886 (02) 2559 1899  
Fax: +886 (02) 2559 1874  
E-mail: [sales@asia-icom.com](mailto:sales@asia-icom.com)  
URL: <http://www.asia-icom.com>

Your local distributor/dealer: